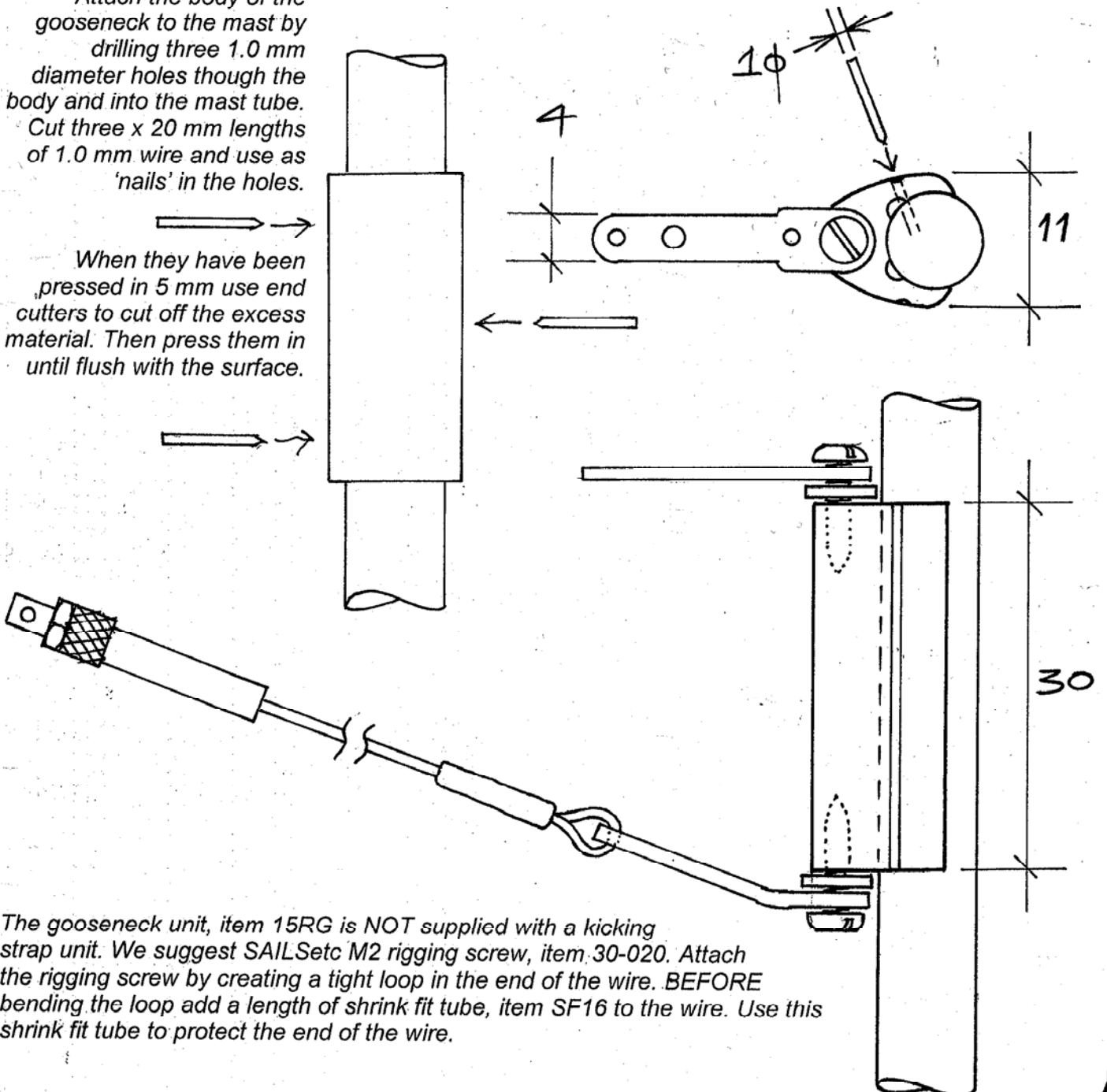


SAILSetc Product Code	15RG		
Fitting Description	Gooseneck – for 8 mm and 5/16" masts		
Applications	RG65, FOOTY & other small yachts		
Drawing Code	Product Information	PI 15RG	<i>copyright SAILSetc 2016</i>
Contents	Qty	1	Item
		1	gooseneck body unit with two tangs
		1	No 2 x 9 mm pan head screw
		1	1.0 mm diameter twist drill
		1	75 mm x 1.0 mm diameter wire

Attach the body of the gooseneck to the mast by drilling three 1.0 mm diameter holes through the body and into the mast tube. Cut three x 20 mm lengths of 1.0 mm wire and use as 'nails' in the holes.

When they have been pressed in 5 mm use end cutters to cut off the excess material. Then press them in until flush with the surface.



The gooseneck unit, item 15RG is NOT supplied with a kicking strap unit. We suggest SAILSetc M2 rigging screw, item.30-020. Attach the rigging screw by creating a tight loop in the end of the wire. BEFORE bending the loop add a length of shrink fit tube, item SF16 to the wire. Use this shrink fit tube to protect the end of the wire.