

6

SAILSetc Catalogue Number

Fitting Description

gooseneck/kicking strap

Applications

round masts, Marblehead, Ten Rater, 6 Metre

Drawing Code

Product Information **PI 6**

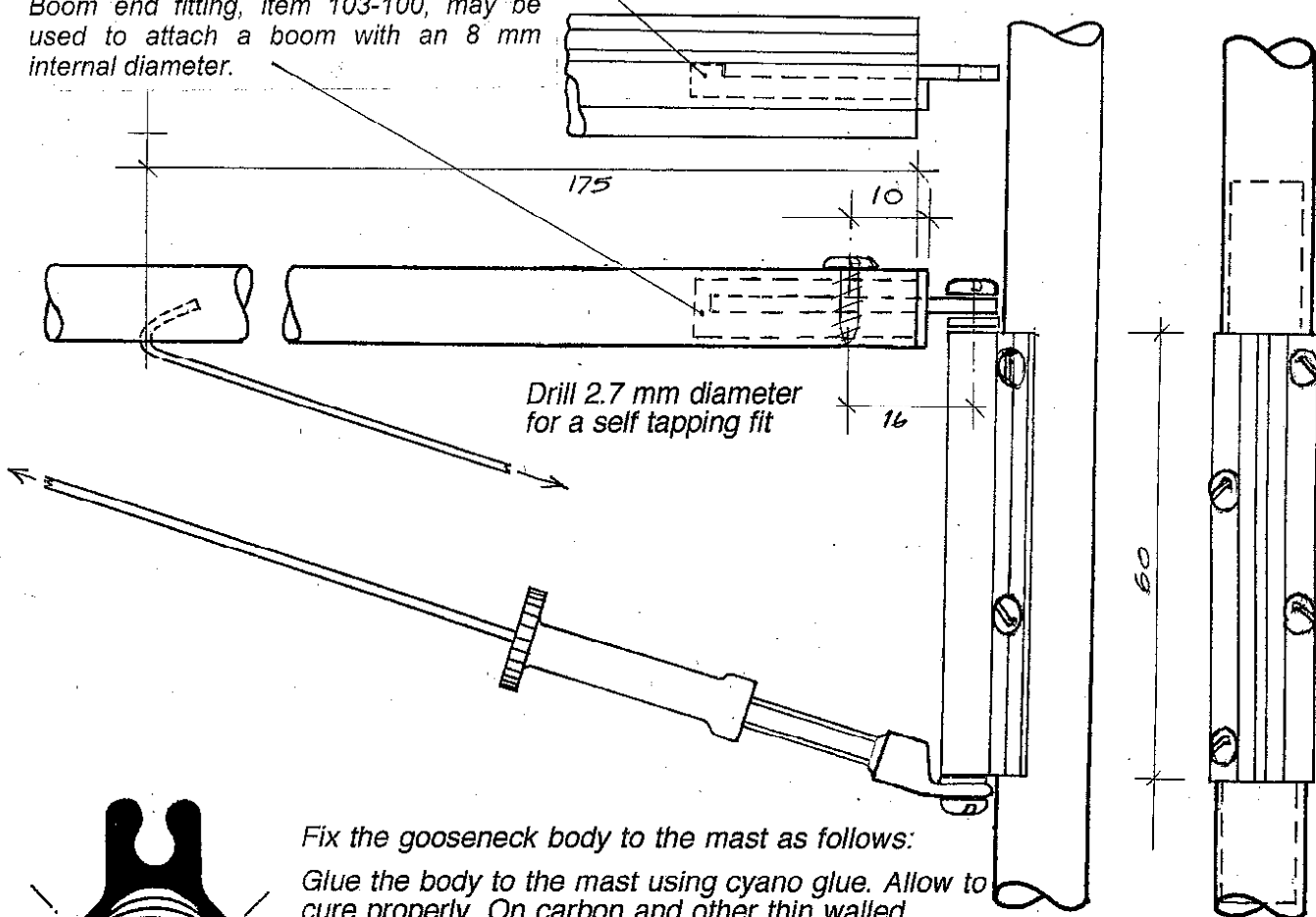
copyright SAILSetc 2019

Contents

Qty	Item
1	gooseneck/kicking strap unit
1	No 4 x 9 mm pan head screw
4	No 2 x 9 mm pan head screw
1	boom end fitting, 103-100
1	1.8 mm diameter drill

Boom end fitting, item 103-SE, is included in SAILSetc main boom kits.

Boom end fitting, item 103-100, may be used to attach a boom with an 8 mm internal diameter.



Fix the gooseneck body to the mast as follows:

Glue the body to the mast using cyano glue. Allow to cure properly. On carbon and other thin walled masts there should be a reinforcing tube inside the mast tube in this area. Use the 1.8 mm drill provided to drill staggered holes where shown at right angles to the body of the gooseneck.

Carefully drive in the small pan head screws. Be aware that they are a tight fit in the holes and cannot be driven in directly. Screw clockwise half a turn and then back a quarter of a turn. Repeat until driven home.