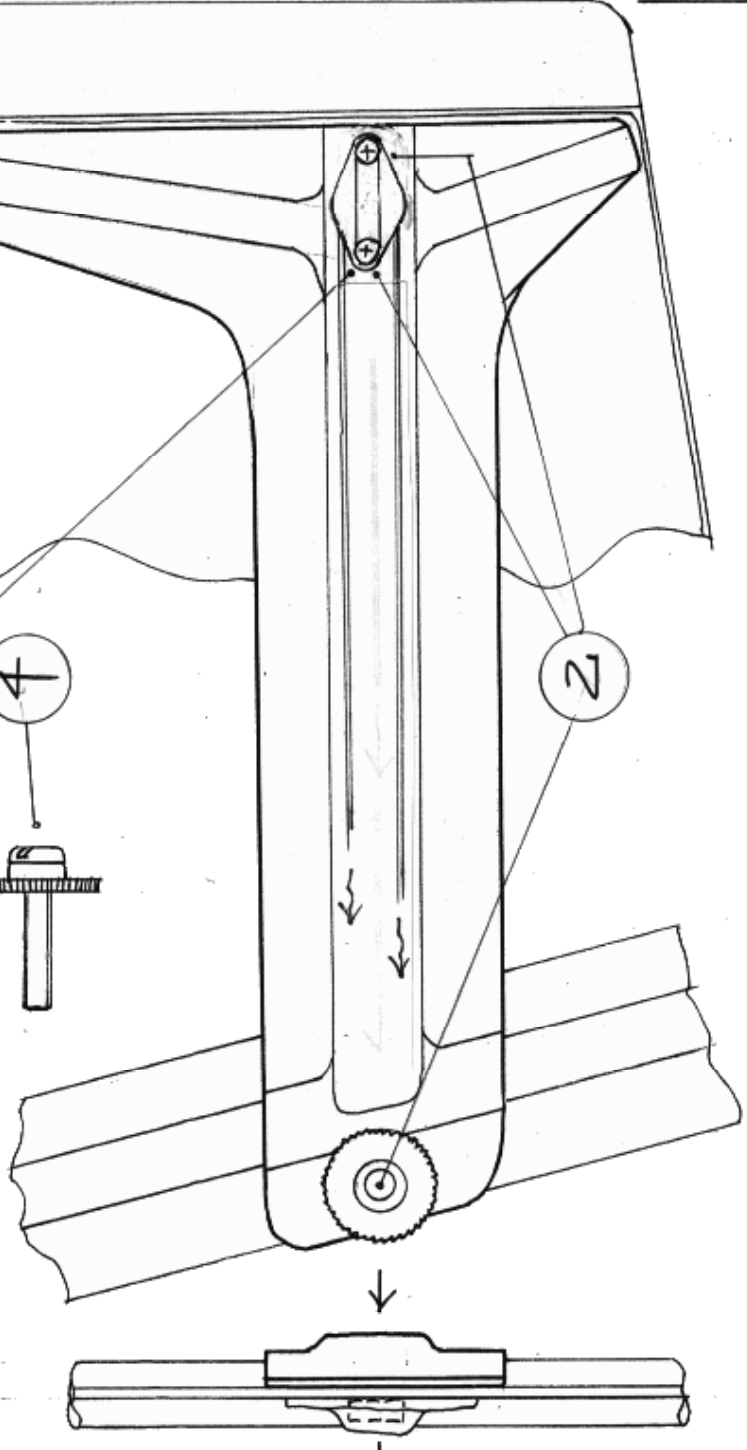
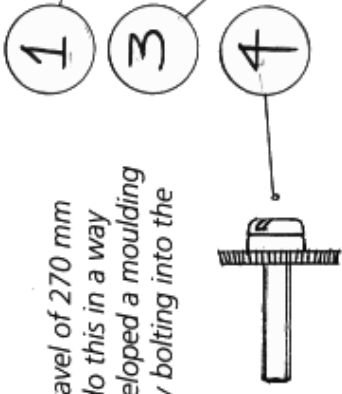
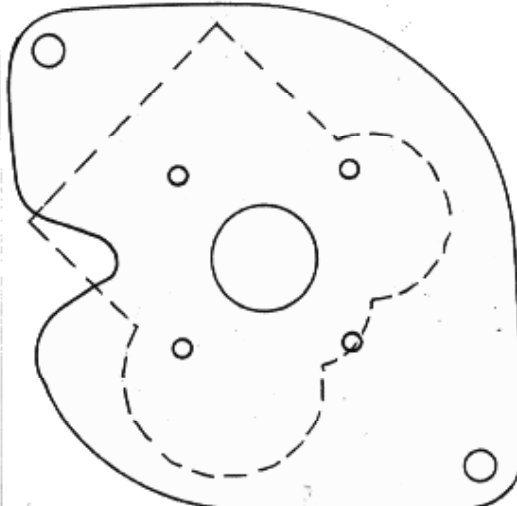


When fitting an RMG280 into a SAILSetc One Metre the correct winch line travel of 270 mm (minimum) can be achieved by placing the block in the bow of the boat. To do this in a way that allows easy replacement of the block and/or the winch line we have developed a moulding onto which the block is mounted. That moulding is then fixed into the hull by bolting into the tube through the boat that takes the swivel line for the No 1 rig.

- 1 Adjust the height and length of the moulding if necessary to fit the boat so that the moulding fits the foredeck tube correctly
- 2 Make the holes with 2.0/2.5 and 4.2 mm drills where marked on the starboard surface of the moulding so the block and bolt can be added.
- 3 Add the block to the starboard side of the moulding.
- 4 Add the M4 screw to the lockwheel as shown and use a spot of cyano glue to lock in the screw and wheel.
- 5 See the Boat Notes for further information concerning fitting the winch and line.



SAILSetc Catalogue Number

Fitting Description

Applications

Contents

Other parts needed to install 67rmg not supplied

1 x 63 (or 63h)

1 x M4 lockwheel

1 x M4 x 20 mm pan head screw

67rmg

mounting for block for RMG installation in SAILSetc IOM

SAILSetc TOPIKO, PIKANTO and later

67rmg moulding