

# PARADOX

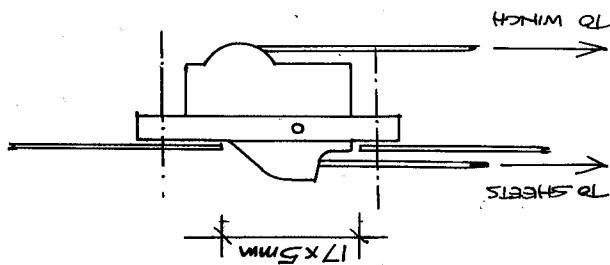
© Gammam Bombardier 1992 / Patent Oct 92 '92

## 1993 FIN

770 amendment to 810 Nov. 97

206 3.6 kg

43



338

634

359b

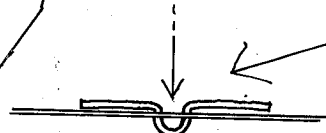
70

REAR AERIAL

54

132

\* FOR 'V' SERIES RIGS ONLY

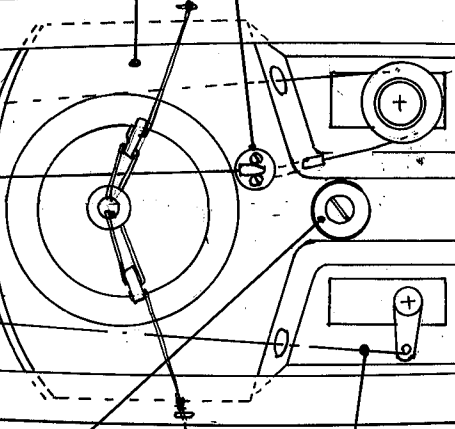


60c 114

65

18kg DAKRON  
30kg PHENMA  
EASTIC  
30kg DAKRON  
30kg PHENMA

6.7mm  $\phi$  ALUOT TUBE



67

USE WASHER UNDER FIN BOLT  
TO SPREAD LOAD PROPERLY.

26

68a

86  
38a 34b  
69e  
8f  
OFFTUBE