

SAILSetc Product Code

15-65

Fitting Description

Gooseneck – for 8 mm and 5/16" masts

Applications

65, RG65, FOOTY & other small yachts

Drawing Code

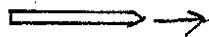
Product Information

PI 15-65*copyright SAILSetc 2019*

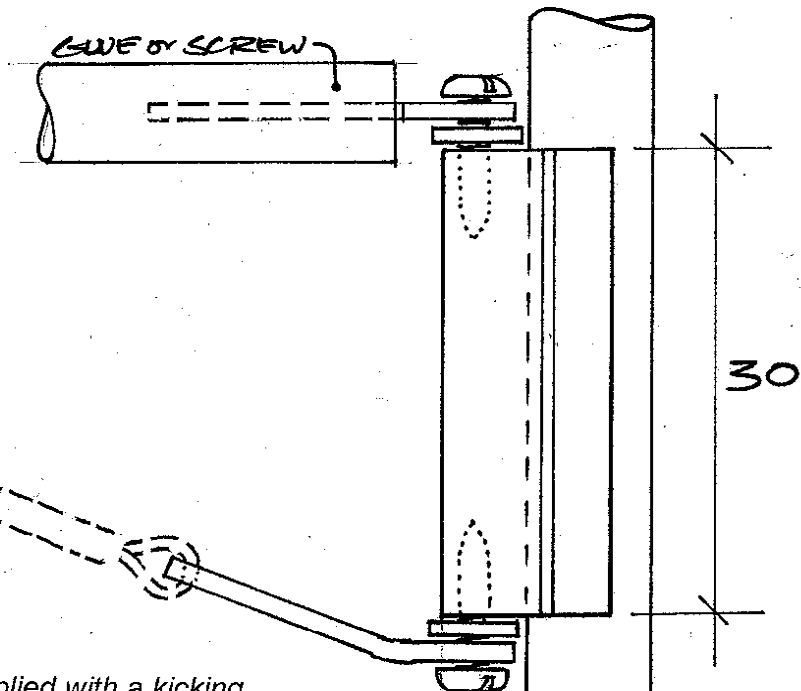
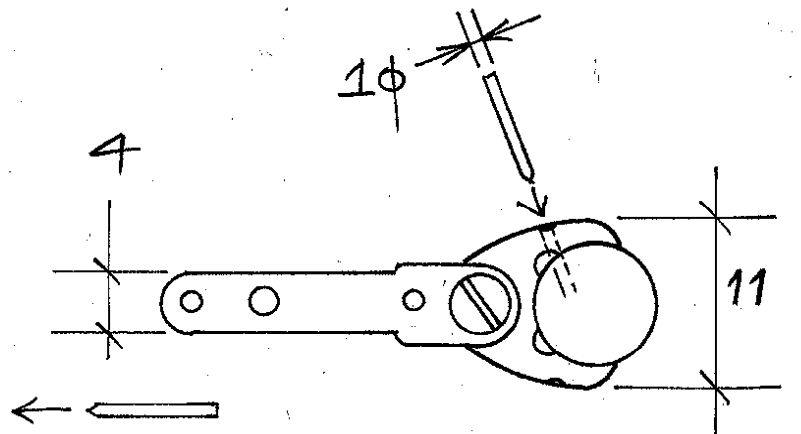
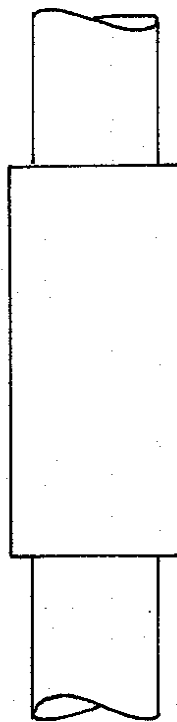
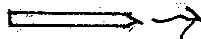
Contents

Qty	Item
1	gooseneck body unit with tang & kicking strap
1	No 1 x 9 mm pan head screw
1	1.0 mm diameter twist drill
1	75 mm x 1.0 mm diameter wire

Attach the body of the gooseneck to the mast by drilling three 1.0 mm diameter holes through the body and into the mast tube. Cut three x 20 mm lengths of 1.0 mm wire and use as 'nails' in the holes.



When they have been pressed in 5 mm use end cutters to cut off the excess material. Then press them in until flush with the surface.



The gooseneck unit, item 15-65 is NOT supplied with a kicking strap unit. We suggest SAILSetc M2 rigging screw, item 30-020. Attach the rigging screw by creating a tight loop in the end of the wire. BEFORE bending the loop add a length of shrink fit tube, item SF16 to the wire. Use this shrink fit tube to protect the end of the wire.