

ITALIKO © Graham Bantock
29/5/2001

40
USING 65 -
UP TO END
2001

USING 63 &
60A - AFTER
2001

24

58

SAILS ETC MOULDED
PLASTIC BUDDER
ITEM 359 Z
WEIGHT 50 GRAMS

INTERNAL BALLAST

ADJUST FORE
& AFT IF NECESSARY
TO GIVE CORRECT TRIM.

ITALIKO

Construction Plan CP015
(IKON general plan showing
modified dimensions)
copyright Graham Bantock 2000

SAILSETC

141 High Street, Kelvedon, Essex,
England. CO5 9AA
Tel +44 (0) 1376 570583
Fax +44 (0) 1376 571437
sailsetc@compuserve.com

633 ± 1

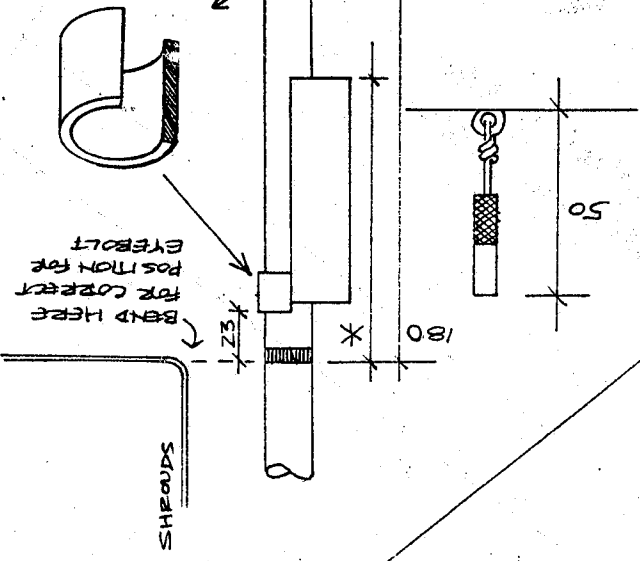
Max Dia 420mm

STARTING POINTS FOR RIG TRIM

RIG	M	J	R
1	15	60-70	0-10
2	20	60-70	1-20
3	25	60-70	2-40

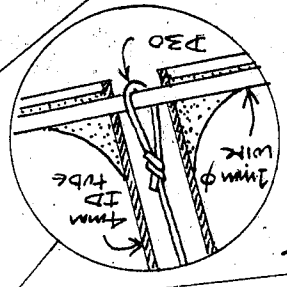
45mm for carbon number
 35g ± weighing 50 grams.
 plastic provided under them
 leading edge - correct for
 8mm aft of bottom of
 LC Baitst

CUT BEARING FROM SAUCETT
 ITEM 144E, OR
 MAST HEEL, OR
 MAST BLOCK
 (REGULAR
 INSTEAD OF BOND).
 BOND IN PLACE
 WITH CRANO GUE
 * 75 FOR BAW
 RACE ON - 67
 FOR STANDARD
 ON.



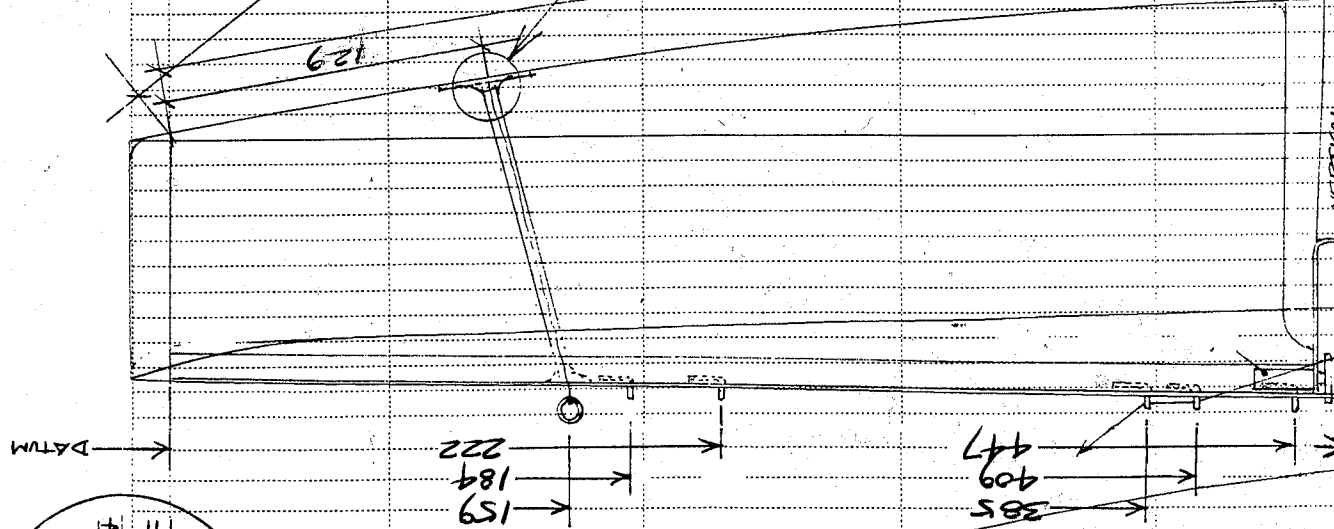
428 ± 1

See over for 60s fin dimensions
 Dimensions refer to this fin.
 70% thick fin shown
 leading edge of fin 37mm
 342

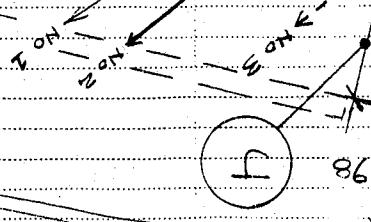
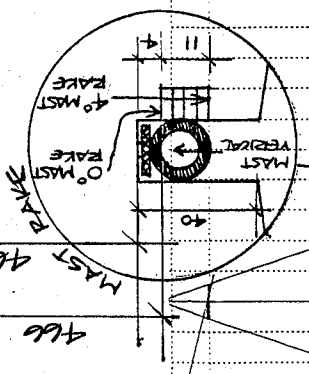


459 ± 1

20x20 fillet



SWITCH UNDER OVERKANG & FOREDECK
 MOUNTED ON BULKHEAD



USED FOR ITALY NUMBER 51 ONWARDS

51