

### Swing Rig with GIZMO

main boom, fore yard & headsail boom for GIZMO  
for Marblehead class

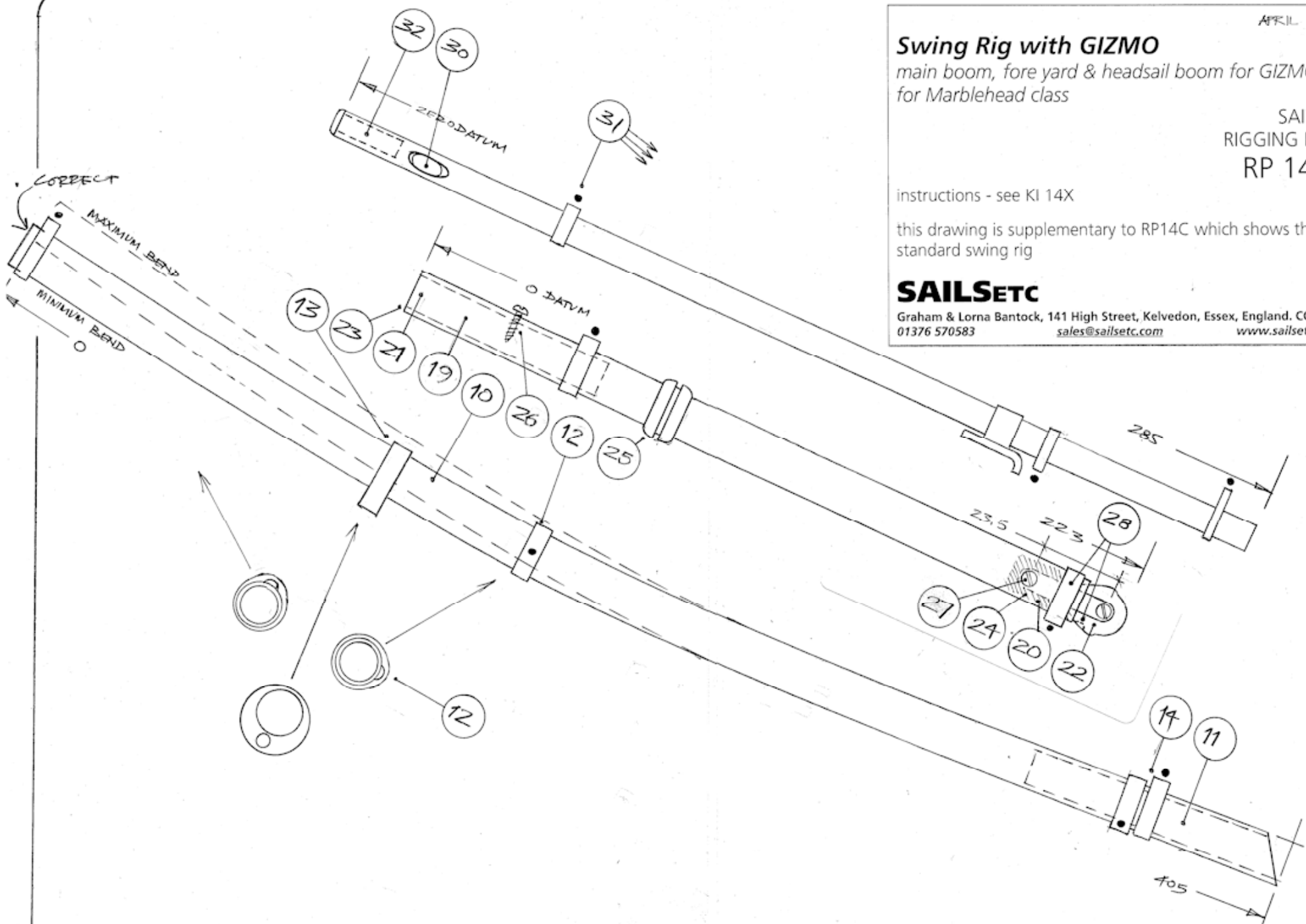
SAILSetc  
RIGGING PLAN  
RP 14X1

instructions - see KI 14X

this drawing is supplementary to RP14C which shows the  
standard swing rig

### SAILSetc

Graham & Lorna Bantock, 141 High Street, Kelvedon, Essex, England. CO5 9AA  
01376 570583      sales@sailsetc.com      www.sailsetc.com



### Swing Rig with GIZMO

GIZMO rigging  
for Marblehead class

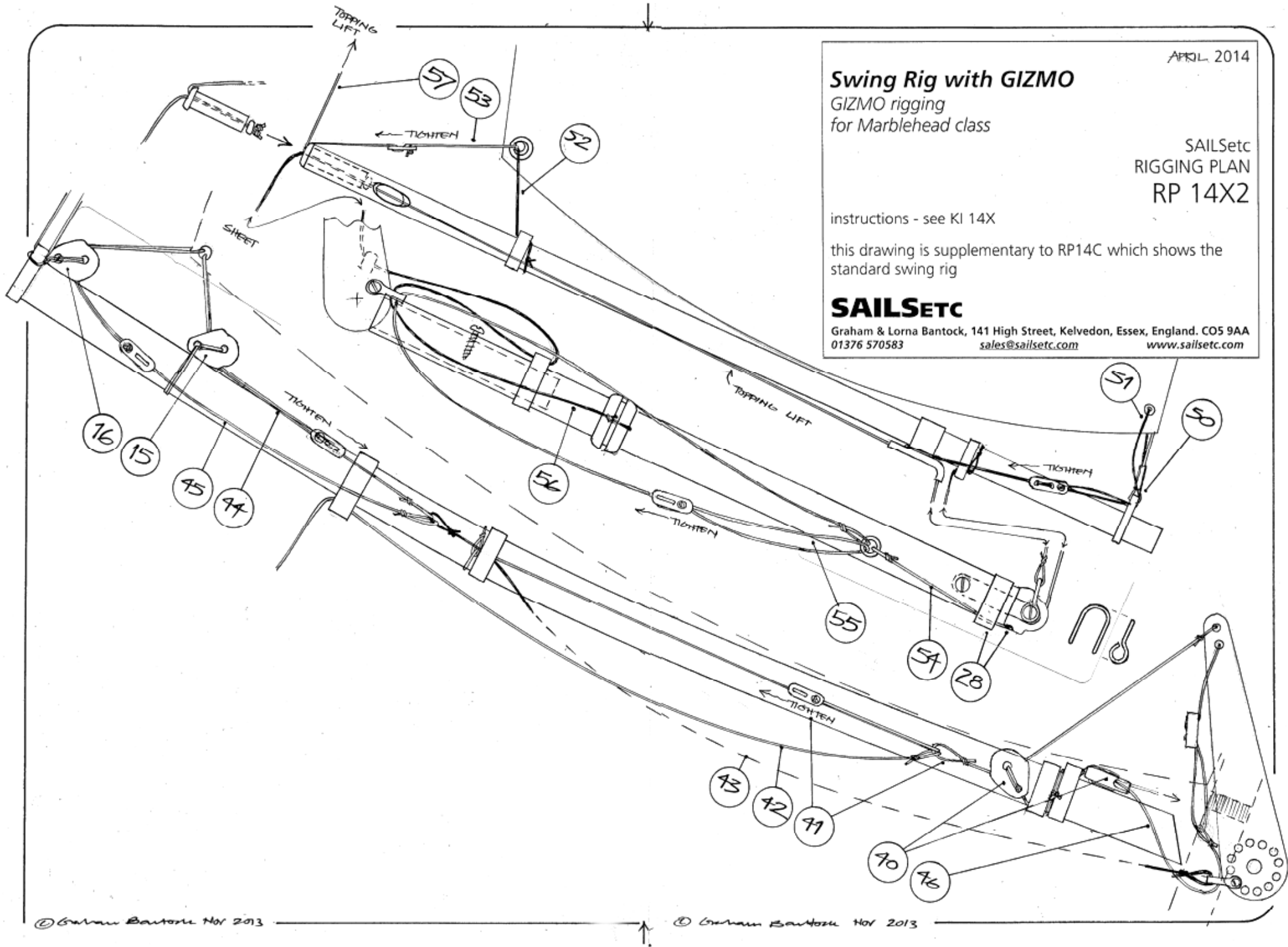
SAILSetc  
RIGGING PLAN  
RP 14X2

instructions - see KI 14X

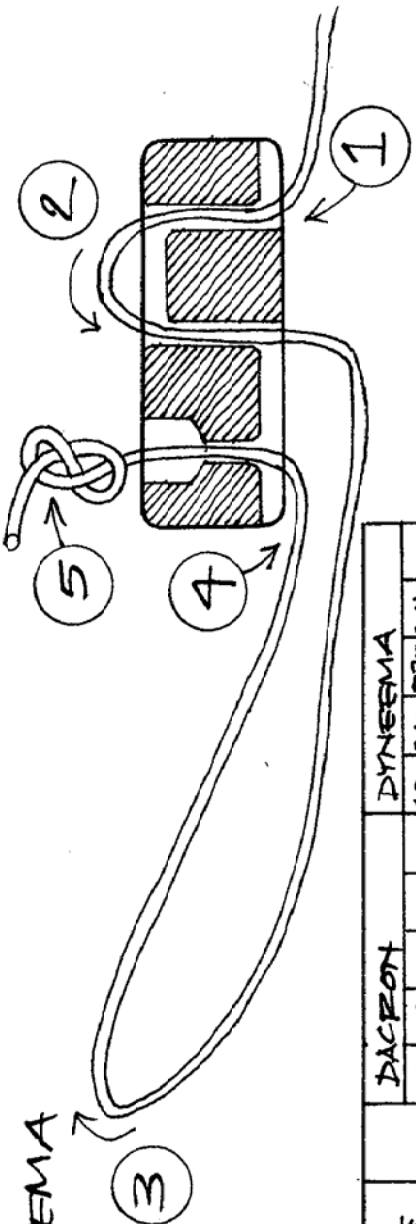
this drawing is supplementary to RP14C which shows the  
standard swing rig

### SAILSETC

Graham & Lorna Bantock, 141 High Street, Kelvedon, Essex, England. CO5 9AA  
01376 570583 sales@sailsetc.com www.sailsetc.com

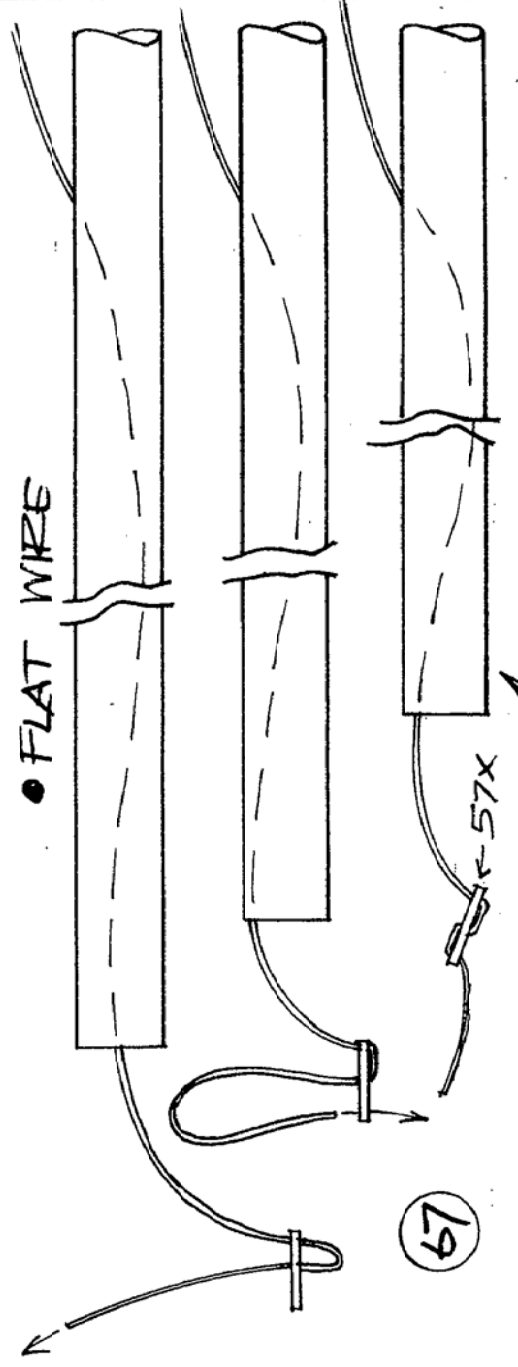


• DYNEMA



BOWSIE	57C	57B	DACRON		DYNEEMA				
			DS	DA	DA0	D30	D50	D75	D110
SMALL	✓				✓	✓	✓		
LARGE		✓	✓	✓		✓	✓	✓	✓

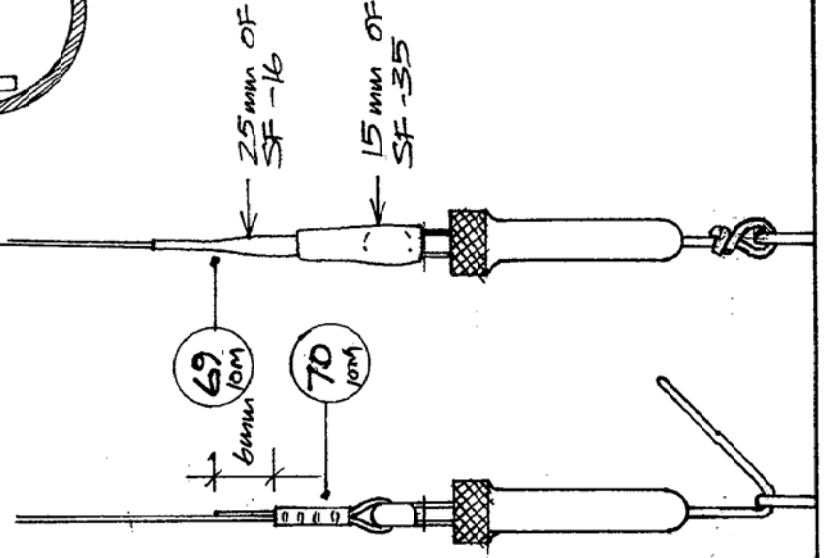
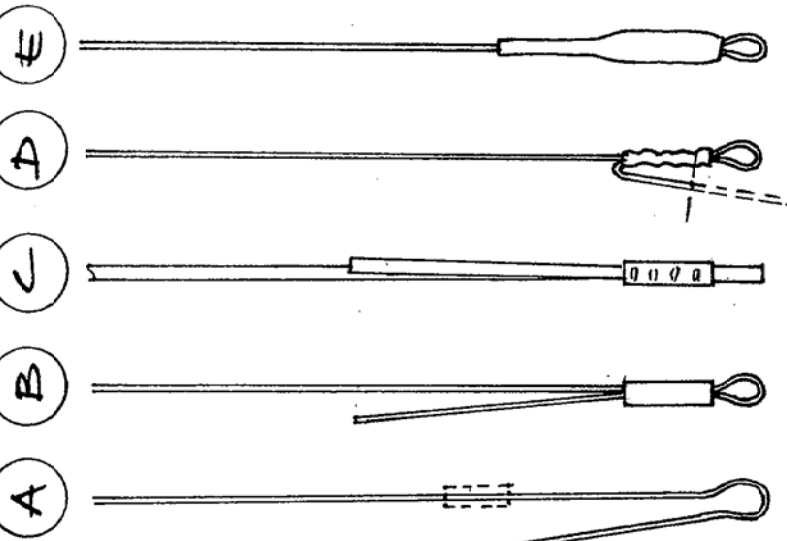
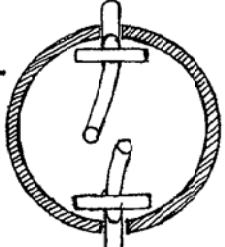
• FLAT WIRE



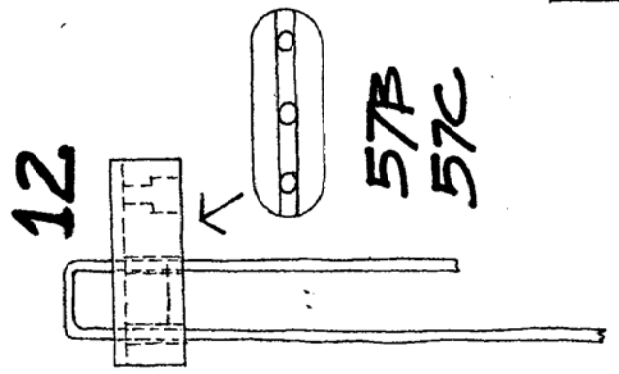
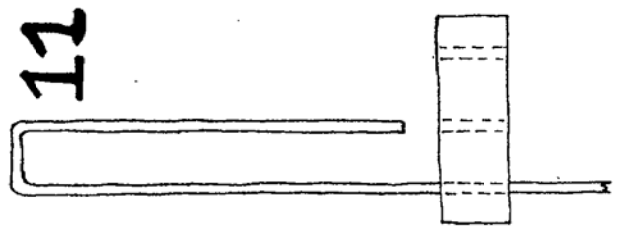
(67)

• SEVEN STRAND WIRE - W060, W045

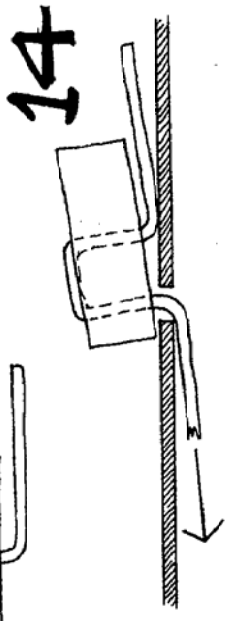
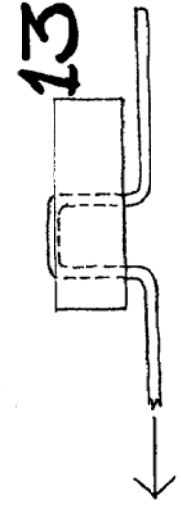
• FLAT WIRE - WFLAT



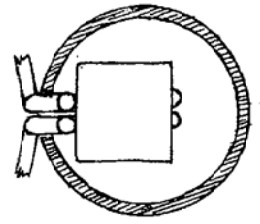
• STRAIGHT WIRE - W060ST, W045ST



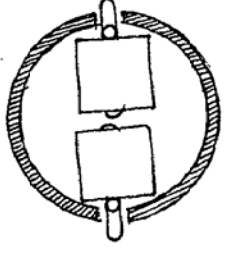
57B  
57C



15



16



• STRAIGHT WIRE  
W060-ST  
W045-ST

